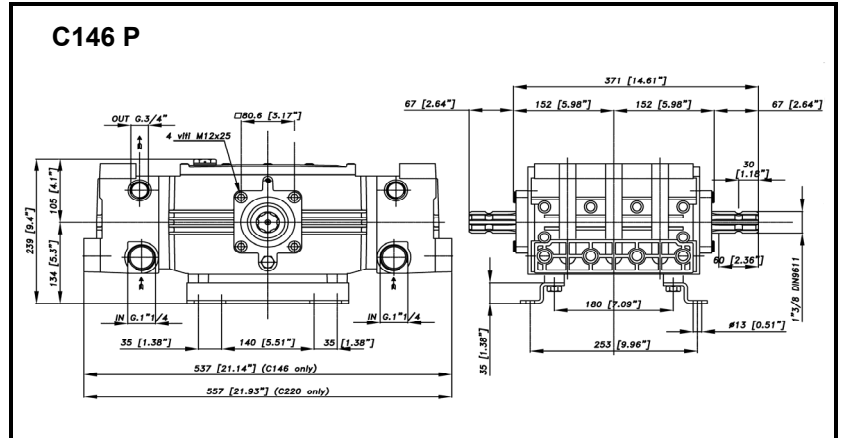
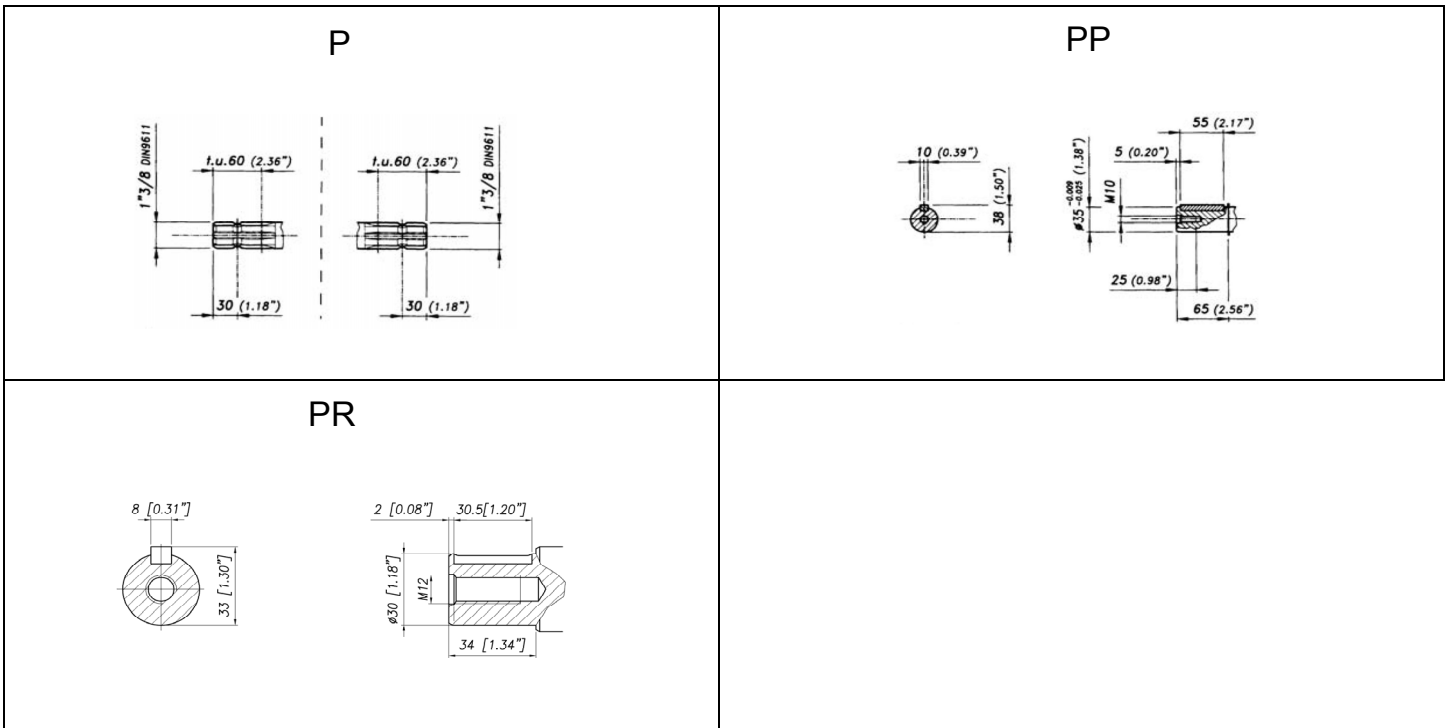




DIMENSIONI D'INGOMBRO - OVERALL DIMENSIONS



ALBERO POMPA - PUMP SHAFT



COPPIA DI SERRAGGIO - TORQUE CHART

CODICE - CODE	Q.TY	POS	N-m	Lbr.ft
86.4200.00.2	16	10	108	79,7
86.4090.00.2	12	12	68	50,2
86.2216.00.2	16	30	10	7,4
86.3900.00.2	6	61	40 (LOCTITE 242)	29,5 (LOCTITE 242)
86.1930.00.2	12	34	5 (LOCTITE 242)	3,7 (LOCTITE 242)
86.1924.00.2	6	39	3 (LOCTITE 242)	2,2 (LOCTITE 242)
73.0048.53.2	6	64	40 (LOCTITE 270)	29,5 (LOCTITE 270)
86.3696.00.2	8	47	50	36,9
86.3740.00.2	4	53	68 (LOCTITE 242)	50,2 (LOCTITE 242)

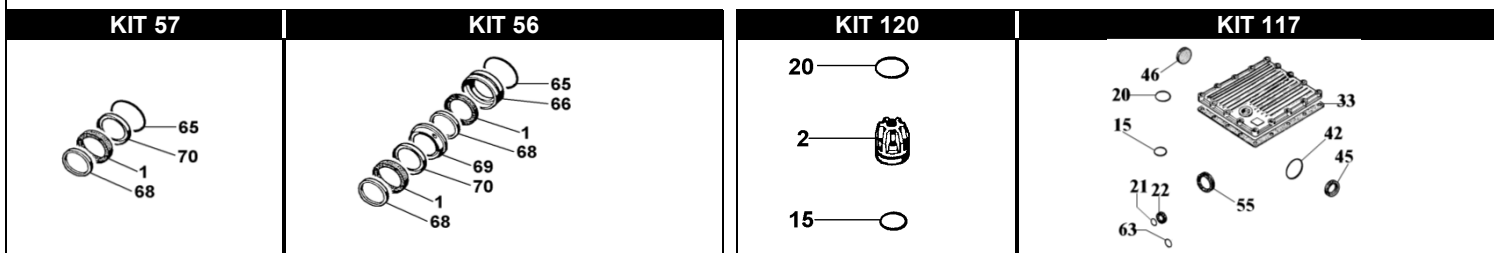
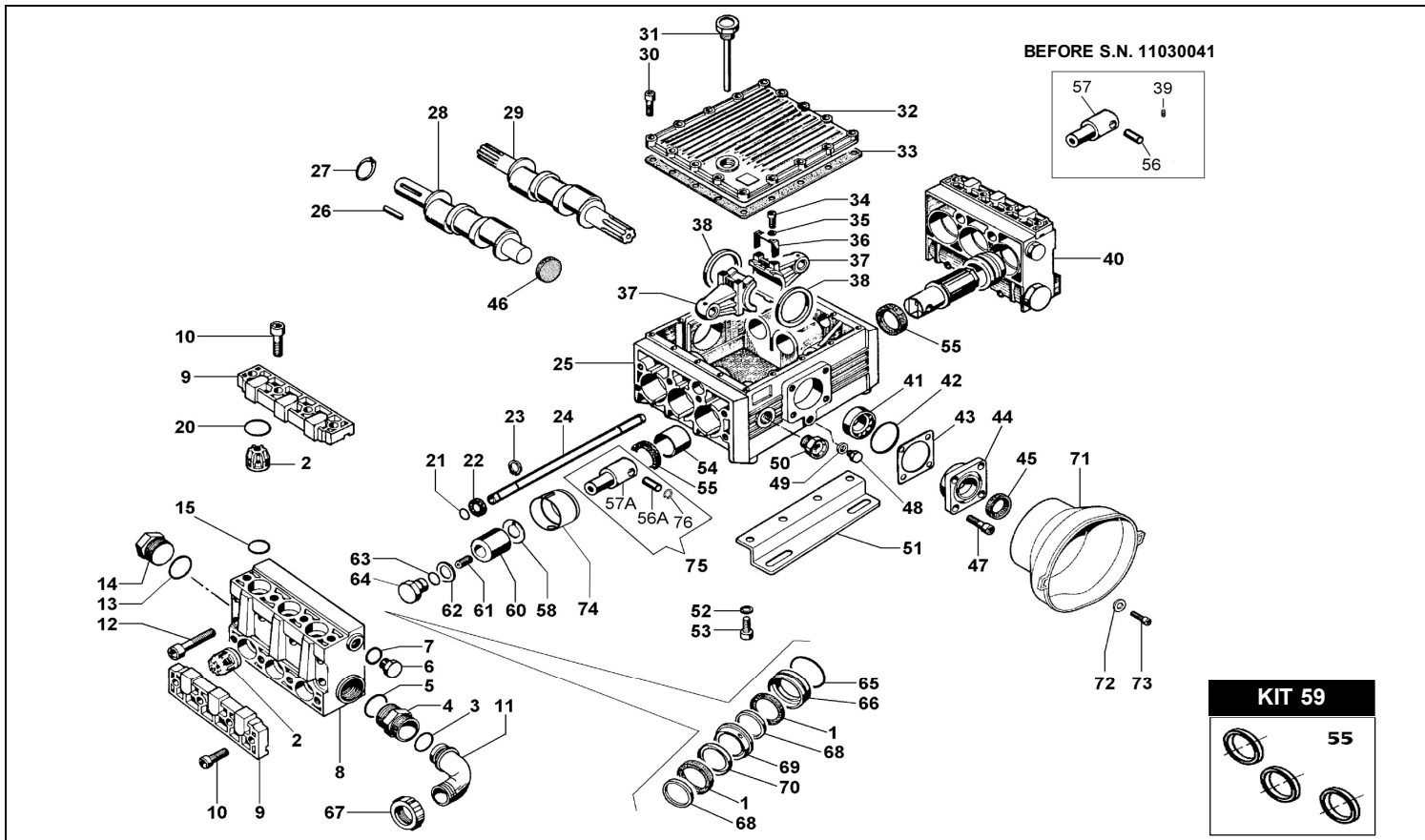
Tolleranza di serraggio: 0/-10%
Tolerance on torque value:

INFORMAZIONI UTILI USEFUL INFORMATION

LUBRIFICANTE - LUBRICANT:

OLIO MOTORE O SEMIIDRAULICO SAE 30
MOTOR OIL OR SEMI-HYDRAULIC OIL SAE 30





POS.	CODICE PART NO. RÉF.	DENOMINAZIONE - DESCRIPTION - DESCRIPTION	Q.TY	POS.	CODICE PART NO. RÉF.	DENOMINAZIONE - DESCRIPTION - DESCRIPTION	Q.TY
1-kit 56-57	802201002	"V" PACKING 45X60	12	43/2	730060652	SHIM	1
2-kit 120	739801973	VALVES ASSEMBLY	12	44	730003092	COVER	2-1
3	803219102	O-RING DIA.3X30	2	44	730015092	COVER (PR)	1
4	835090352	NIPPLE	2	45-kit 117	802143002	OIL SEAL	2-1
5	803209002	O-RING DIA.2,62X39,34	2	46-kit 117	802099602	CAP (PP-PR)	1
6	852693532	CAP G3/4	2	47	863696002	BOLT TCEI M12X25	8
7	803218002	O-RING DIA.3X22	2	48	852579002	PLUG G 3/8	1
8	760224092	HEAD HOLE ON THE LEFT	1	49	824109002	GASKET DIA.17X22X1	1
9	730017092	VALVES COVER	4	50	853515002	OIL SIGHT GLASS	1
10	864200002	BOLT TCEI M14X40 UNI 5931	16	51	730024612	MOUNTING BRACKET	2
11	840561002	90° ELBOW CONNECTOR DIA.30 MM.	2	52	843906002	WASHER	4
12	864090002	BOLT TCEI M12X100 UNI 5931	12	53	863740002	BOLT M12X30 UNI 5739	4
13	803209002	O-RING DIA.2,62X39,34	2	54	804465002	ANTIFRICTION BUSH DIA.40X44X50	6
14	852740002	PLUG 1"1/4	2	55-kit 59-117	802180002	OIL SEAL DIA.40X55X7	6
15-kit 117-120	803251002	O-RING DIA.3,53X32,93	12	56	852007502	PISTON PIN (BEFORE S.N. 11030041)	6
20-kit 117-120	803262002	O-RING DIA.3,53X41,28	12	56A	852007302	PISTON PIN (FROM S.N. 11030041)	6
21-kit 117	803217302	O-RING DIA.3X16	4	57	730011092	PLUNGER ROD (BEFORE S.N. 11030041)	6
22-kit 117	802089002	OIL SEAL	2	57A	730080092	PLUNGER ROD (FROM S.N. 11030041)	6
23	801160002	SNAP RING	2	58	844301002	WASHER DIA.25,3X50X1	6
24	760055822	HEADS CONNECTION TUBE	1	60	730010182	CERAMIC PISTON DIA.45	6
25	760001082	CRANKCASE	1	61	863900002	SCREW STEI M12X40	6
26	806585002	TAB 10X8X55 (PP)	1	62	824161002	GASKET 25,3X30X1	6
26	806530002	TAB 8X7X30 (PR)	1	63-kit 117	803195502	O-RING DIA.2,62X20,24	6
27	801264002	SNAP RING DIA.35 (PP)	1	64	730048532	PLUG	6
28	730037262	CRANKSHAFT SOLID (PP)	1	65-kit 56-57	803283002	O-RING DIA.3,53X58,74	6
28	730033262	CRANKSHAFT SOLID (PR)	1	66-KIT 56	730070532	BACK GLAND	6
29	730030262	CRANKSHAFT 1"3/8 (P)	1	67	820070002	WING NUT	2
30	862216002	BOLT M6X25	16	68-kit 56-57	730044322	THRUST RING	12
31	853519002	OIL FILLING PLUG G 3/4	1	69-kit 56	730068532	FRONT GLAND DIA.45	6
32	760002092	CRANKCASE COVER	1	70-kit 56-57	730040322	ANTIEXTRUSION RING	6
33-kit 117	760065722	GASKET	1	71	311482322	PLAIN SAFETY CONE	1
34	861930002	BOLT T.C.E.I. M5X12	12	72	843696002	WASHER DIA.8,4x18x2	2
35	843651502	WASHER DIA.5,3X9X0,9	12	73	862475002	SCREW	2
36	760046612	FORK	6	74	730502322	OIL SEAL SPACER (FROM 09/13)	6
37	760010092	CONROD	6	75	73001109A	PLUNGER ROD + PISTON PIN KIT (FROM S.N. 11030041)	6
37 opt.	760014112	BRONZE CONROD (OPTIONAL)	6	76	800040002	SNAP RING (FROM S.N. 11030041)	12
38	760047762	RING	6				
39	861924002	SCREW M5X6 UNI 5927 (BEFORE S.N. 11030041)	6				
40	760223092	HEAD HOLE TO RIGHT	1				
41	812859002	CONICAL ROLLER BEARING DIA.35X72X24,25	2				
42-kit 117	803290002	O-RING DIA.85,32X3,53	2				
43/1	730061652	SHIM	1				
		REPAIR KIT				ITEM NO.s INCLUDED	PCS.
		kit 56		679805973	769805973	SPARE PARTS KIT	48
		kit 57		739845973	739845973	SPARE PARTS KIT	36
		kit 57		769825973	769825973	SPARE PARTS KIT (VITON)	36
		kit 59		769812973	769812973	SPARE PARTS KIT	6
		kit 117		761060973	761060973	SPARE PARTS KIT	48
		kit 120		769870973	769870973	SPARE PARTS KIT	36